

EXDUL-584E

Ethernet Module with 8 Analog Inputs, 8 Analog Outputs, 1 Optocoupler Input, 1 Optocoupler Output



8 A/D inputs 16 bit

8 A/D inputs single-ended
or
4 A/D inputs differential

8 D/A outputs 16 bit

1 optocoupler input

1 optocoupler output

LCD Display

EXDUL-584E provides either eight single ended or four differential 16-bit A-D input channels. Several bipolar input voltage ranges (+/-0.63 V, +/-1.27 V, +/-2.55 V, +/-5.1 V, +/-10.2V) can be adjusted. The conversion process including the associated configuration of the A/D components (selection of range and channel) is triggered by software commands. The bipolar output voltage ranges (+/-2.55V, +/-5.1V, +/-10.2 V) of all of the eight 16-bit D/A outputs are software-selectable as well. Additionally the module provides one digital input and one digital output which are opto-isolated galvanically by high-quality optocouplers and equipped with additional protection diodes. The special high power output optocoupler copes with a switching current up to 150 mA. The optocoupler input may be programmed and used as an input of a 32-bit counter if required. The programmable LCD display represents digital and analog I/O status information or programmable user-specific data.

SPECIFICATIONS

A/D inputs

8 inputs single-ended (se)
or 4 inputs differential (diff)
or combined se/diff selectable via software
Resolution: 16 bit
Input voltage range bipolar:
+/-0,63 Volt, +/-1,27 Volt, +/-2,55 Volt,
+/-5.1 Volt, +/-10.2 Volt
FIFO: 10000 values
Input resistor: 500 Ω
Over voltage protection: 50V
Measuring cycle:100kHz

D/A outputs

8 outputs
Resolution: 16 bit
Output voltage ranges bipolar
+/-2.55 Volt, +/-5.1 Volt, +/-10.2 Volt
Output current: max +/-5 mA

Optocoupler input

1 bipolar channel, galvanically isolated
Over voltage protection diodes
Input voltage range
high = 10..30 Volt
low = 0..3 Volt

Optocoupler output

1 channel, galvanically isolated
High capacity optocouplers
Reverse polarity protection
Output current: max. 150 mA
Switching voltage: max. 50 V

LCD Display

Matrix display with 2 lines and 16 columns
presenting 16 signs each line
Programmable for presentation of customized data or I/O status display

Operation voltage

external power supply required
+10 V...+30 V

Ethernet Interface

100Base-T Ethernet Interface

Connection Terminals

1 * 24-pin screw terminal block
Ethernet RJ45 socket

Ethernet connection lines

RJ45 network cable Cat5 or higher

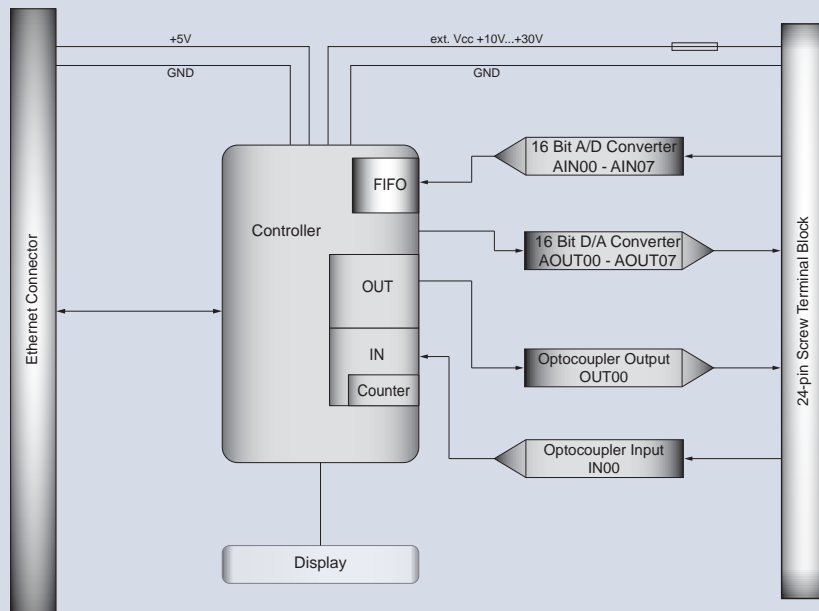
Dimensions

105 mm x 89 mm x 59 mm (l x b x h)

Casing

Insulating plastic casing with integrated snap-on technology for DIN EN rail mounting. Suitable for control and engineering technology mounted to control and distribution boxes, surface mounting or mobile use on a desk.

BLOCK DIAGRAM



PIN ASSIGNMENT

Terminals Vcc_EXT und GND_EXT are provided for an application of 10 ... 30 V external voltage supply.

Screw-Terminal CN1

AIN01+	2	1	AIN00+
AIN03+	4	3	AIN02+
AIN05+	6	5	AIN04+
AIN07+	8	7	AIN06+
AOUT01+	10	9	AOUT00+
AOUT03+	12	11	AOUT02+
AOUT05+	14	13	AOUT04+
AOUT07+	16	15	AOUT06+
DAGND	18	17	ADGND
OUT00-	20	19	OUT00+
IN00-	22	21	IN00+ / Counter0
GND_EXT	24	23	Vcc_EXT

ASSEMBLY AND APPLICATION OPTIONS



Top-hat Rail Mounting



Wall Mounting



Mobile Use on a Desk

To supply the necessary operating voltage, an external power supply is required. The module provides a 24-pin screw terminal block for connecting the external power supply and the optocoupler input and output.

The compact chassis enables the module to be used as a portable device with a notebook. For mechanical or control engineering it can also be easily wall mounted or attached to DIN mounting rail.

PROGRAMMING

Driver installation from the enclosed CD. Information about the supported Windows versions is available in section support of www.wasco.de.

Sample programs for Microsoft Visual C++, C# and Microsoft Visual Basic are included on CD.

SCOPE OF DELIVERY

Ethernet Module EXDUL-584E

Cat.5 Ethernet cable 1 m

German Description (English on request)

Installation and sample programs

ORDER INFORMATION

EXDUL-584E

EDP-No. A-371940

Ethernet Optocoupler I/O Module

SUITABLE ACCESSORIES

DR-60-24

EDP-No. A-3425

Switching power supply providing one output 24V / 2,5A, closed design, contact-protected screw terminals, overload protection by current limitation, Power-On-LED



F4652-24-Set

EDP-No. A-351024

Industrial high-power relay combination of two change-over contacts 250V / 8A and free-wheeling diode, snap-in technology for DIN EN top-hat mounting



For more detailed information about the here listed and other accessories we refer to the corresponding data sheets